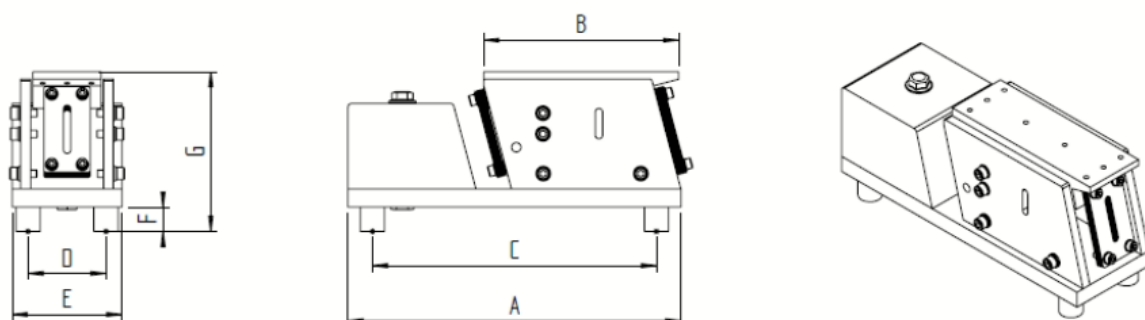


Drive H



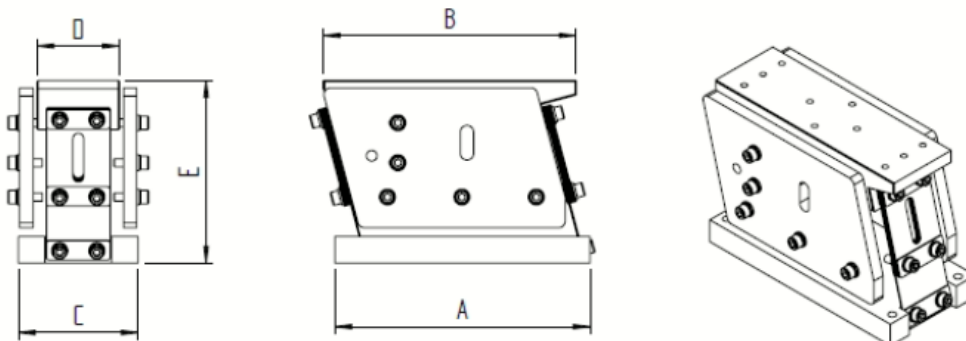
Dimensions:

Drive H	A	B	C	D	E	F	G
140	250	141	210	60	80	20	115
160	273	160	233	64	90	20	131
190	300	190	260	80	100	20	138

Technical parametres:

Drive H	Input voltage (V)	Input frequency (Hz)	Input current (I)	Power (W)	Applicable length of track (mm)	Applicable width of track (mm)	Weight of drive (kg)	Load-Bearing (kg)
140	220/110	50/60	0,2	24	500	80	8,12	2
160	220/110	50/60	0,26	57	600	85	11,7	3
190	220/110	50/60	0,8	88	650	80	15	4

Drive Q



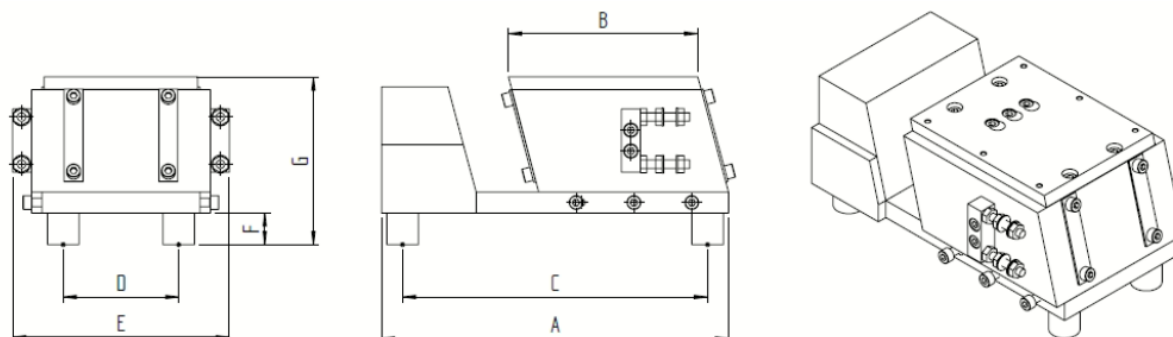
Dimensions:

Drive Q	A	B	C	D	E
80	105	100	50	35	78
140	155	141	80	47	99,5
160	180	160	80	56	117
190	192	190	90	62	137

Technical parametres:

Drive Q	Input voltage (V)	Input frequency (Hz)	Input current (I)	Power (W)	Applicable length of track (mm)	Applicable width of track (mm)	Weight of drive (kg)	Load-Bearing (kg)
80	220/110	50/60	0,04	8	350	30	1,55	1,5
140	220/110	50/60	0,2	24	500	55	3,8	2
160	220/110	50/60	0,26	57	550	60	6,3	3
190	220/110	50/60	0,8	88	600	90	10,28	4

Drive Z



Dimensions:

Drive Z	A	B	C	D	E	F	G
200	330	180	290	110	205	30	160
300	375	200	290	110	205	30	201

Technické údaje:

Drive Z	Input voltage (V)	Input frequency (Hz)	Input current (I)	Power (W)	Applicable length of track (mm)	Applicable width of track (mm)	Weight of drive (kg)	Load-Bearing (kg)
200	220/110	50/60	2,4	264	700	150	32,5	20
300	220/110	50/60	4	440	850	180	46,3	25